



HELAGO-CZ, s.r.o.
Commercial Register maintained by the Regional Court in Hradec
Králové
Section C, File 17879
Kladská 1082
500 03 Hradec Králové 3
Company ID: 25 96 39 61, VAT: CZ 25963961
Phone: 495 220 229, 495 220 394
Fax: 495 220 154
GSM gate: 602 123 096
E-mail: info@helago-cz.cz
Web: <http://www.helago-cz.cz>

NIS-SIM Q1 - Nissin Dental Training Simulator

Order code: **4508.NIS-SIM**



Information about product price on demand

Parameters

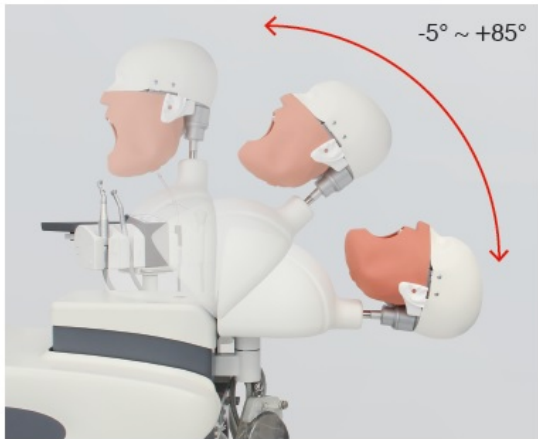
Quantitative unit

ks

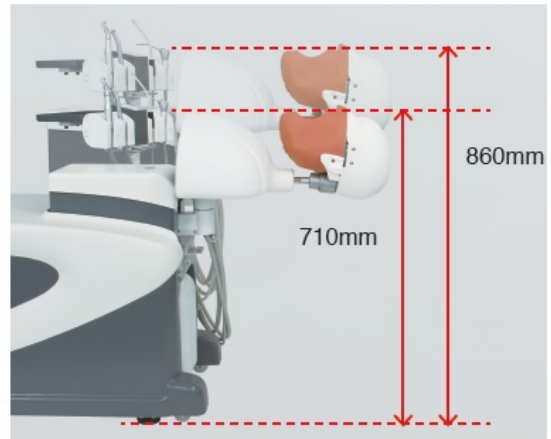
A practical solution for preclinical training

Allows students to practice basic and advanced preclinical skills in a clinical-like environment. Gives access to a wide range of training situations using various NISSIN dental training models.

Simulator Positions



Tilt adjustment



Height adjustment

Functions & Construction

Multifunctional articulator



Magnet system for easy attachment/detachment of the jaw model

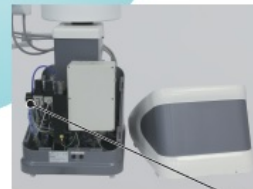
Water supply / Drain system



Instrument holder
(Left/right compatible)
※ Hand pieces not included.



Touch panel for position adjustment



Simple construction for easy maintenance

